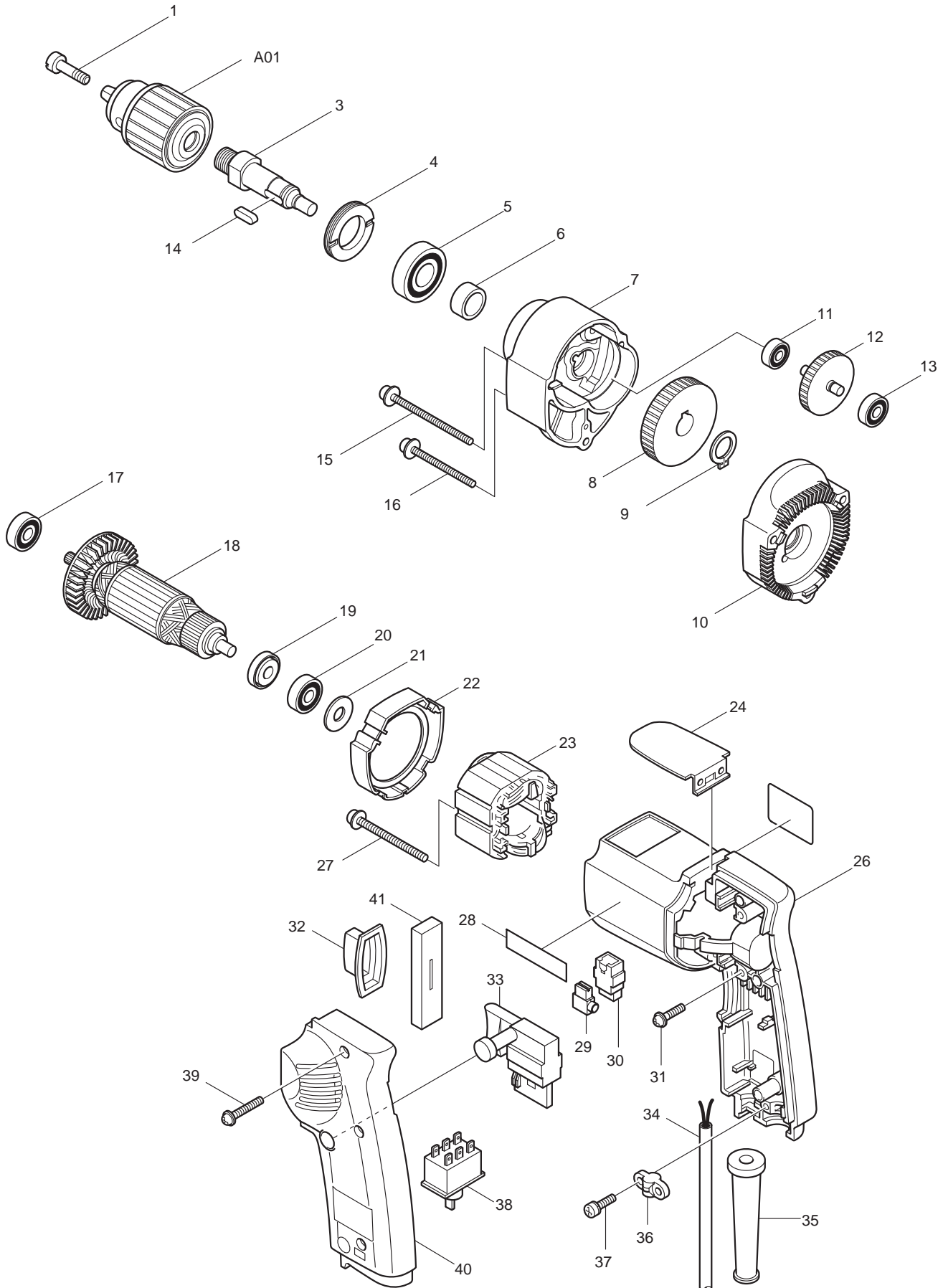




02 - 2010
6303H / 6303HK
1/2" DRILL V.S. 0-850RPM



| Item No | Type | Ref | Part No | SC Description | Qty | Unit |
|---------|------|------|----------|--|-----|------|
| 1 | | | 251441-5 | * - FLAT HEAD SCREW M6X22 (OLD) | 1 | PC. |
| 3 | | | 324197-4 | * SPINDLE (OLD# 321082-2 - N/L/A) | 1 | PC. |
| 4 | | | 285807-7 | BEARING RETAINER 22-36 | 1 | PC. |
| 5 | | | 211206-7 | BALL BEARING 6202LLB | 1 | PC. |
| 6 | | | 257018-4 | RING 15 | 1 | PC. |
| 7 | | | 151765-8 | GEAR HOUSING COMPLETE | 1 | PC. |
| | | INC. | 263002-9 | RUBBER PIN 4 | 1 | PC. |
| | | INC. | 951051-5 | SPRING PIN 3-8 | 1 | PC. |
| 8 | | | 226224-2 | SPUR GEAR 49 | 1 | PC. |
| 9 | | | 961054-1 | RETAINING RING S-14 | 1 | PC. |
| 10 | | | 157904-8 | GEAR HOUSING COVER COMPLETE | 1 | PC. |
| | | INC. | 263002-9 | RUBBER PIN 4 | 2 | PC. |
| 11 | | | 211012-0 | BALL BEARING 606ZZ (OLD# 211014-6) | 1 | PC. |
| 12 | | | 226097-3 | GEAR COMPLETE 10-46 | 1 | PC. |
| 13 | | | 211020-1 | BALL BEARING 626Z | 1 | PC. |
| 14 | | | 254211-1 | KEY 5 | 1 | PC. |
| 15 | | | 911193-7 | PAN HEAD SCREW M4X65 | 2 | PC. |
| 16 | | | 911178-3 | PAN HEAD SCREW M4X50 | 1 | PC. |
| 17 | | | 211031-6 | BALL BEARING 608LLB | 1 | PC. |
| 18 | | | 511836-7 | ARMATURE ASS'Y 115V | 1 | PC. |
| | | INC. | 241881-5 | FAN 52 | 1 | PC. |
| | | INC. | | Item No.17,19,20 | | |
| 19 | | | 681614-0 | INSULATION WASHER | 1 | PC. |
| 20 | | | 211028-5 | BALL BEARING 627LB | 1 | PC. |
| 21 | | | 253192-6 | FLAT WASHER 14 | 1 | PC. |
| 22 | | | 414594-3 | BAFFLE PLATE | 1 | PC. |
| 23 | | | 633056-4 | FIELD 115V | 1 | PC. |
| 24 | | | 343407-0 | HOOK | 1 | PC. |
| 26 | | | 159010-5 | MOTOR HOUSING COMPLETE | 1 | PC. |
| | | INC. | 263014-2 | RUBBER PIN 4 | 1 | PC. |
| 27 | | | 911581-8 | PAN HEAD SCREW M4X55 | 2 | PC. |
| 28 | | | 819063-3 | MAKITA LABEL | 1 | PC. |
| 29 | | | 686015-7 | RECEPTACLE SLEEVE | 2 | PC. |
| 30 | 1 | | 191910-3 | CARBON BRUSH CB-401 2PC/SET (W/O ORIGIN) - N/L/A | 1 | SET |
| | 2 | | 195005-4 | CARBON BRUSH CB-401 2PC/SET (W/ ORIGIN) | 1 | SET |
| 31 | | | 911124-6 | PAN HEAD SCREW M4X14 | 1 | PC. |
| 32 | | | 421144-7 | DUST COVER | 1 | PC. |
| 33 | | | 650208-2 | * SWITCH TG833TB-1 (OLD# 651356-0) | 1 | PC. |
| 34 | | | 664064-4 | CORD W/PLUG 2P-18-2.5M, SJ | 1 | PC. |
| 35 | | | 682502-4 | CORD GUARD 8-85 | 1 | PC. |
| 36 | | | 687002-9 | STRAIN RELIEF | 1 | PC. |
| 37 | | | 911133-5 | PAN HEAD SCREW M4X18 | 2 | PC. |
| 38 | | | 651478-6 | SWITCH VTX11 | 1 | PC. |
| 39 | | | 911153-9 | PAN HEAD SCREW M4X28 | 3 | PC. |
| 40 | 1 | | 151766-6 | HANDLE COVER COMPLETE (W/EN,SP LABEL) - N/L/A | 1 | PC. |
| | 2 | | 151865-4 | HANDLE COVER COMPLETE (W/EN,FR LABEL) | 1 | PC. |
| 41 | | | 685717-2 | SPONGE SHEET | 1 | PC. |
| 42 | | | 411780-7 | * KEY HOLDER 10 (OLD# 410102-8) | 1 | PC. |

ACCESSORIES

- See catalogue or visit www.makita.ca for more accessories information-

| | | | | | | |
|-----|---|--|-----------|-------------------------|---|-----|
| A01 | 1 | | 763047-2A | 1/2" DRILL CHUCK - N/LA | 1 | PC. |
| | 2 | | 763078-1 | 1/2" DRILL CHUCK | 1 | PC. |

| Item No | Type | Ref | Part No | SC Description | Qty | Unit |
|---------|------|------|-----------|-----------------------|-----|------|
| A02 | 1 | | 763434-5 | CHUCK KEY 10 | 1 | PC. |
| | 2 | | 763411-7A | CHUCK KEY | 1 | PC. |
| A03 | | | 122593-8 | GRIP ASS'Y | 1 | PC. |
| | | INC. | 415485-1 | GRIP BASE | 1 | PC. |
| | | INC. | 921919-9 | HEX. BOLT M8X110 | 1 | PC. |
| A04 | | | 824658-9 | PLASTIC CARRYING CASE | 1 | PC. |
| A05 | | | 415486-9 | DEPTH GAUGE | 1 | PC. |

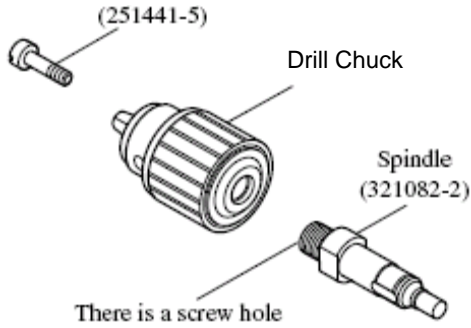
SERVICE CHANGES

1. Changes on Spindle & Screw

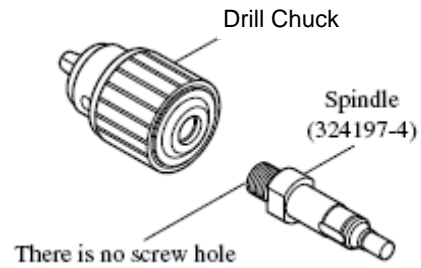
| Item No. | Description | Type 1 | Type 2 |
|----------|-------------------|----------|----------|
| 1 | - Flat Head Screw | 251441-5 | ----- |
| 3 | Spindle | 321082-2 | 324197-4 |

Above parts are completely interchangeable as a set.

Type1



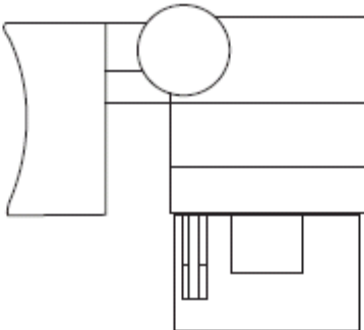
Type2



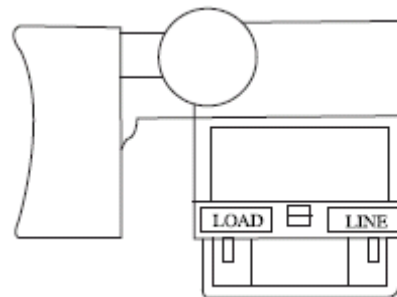
2. Changes on Switch

| Item No. | Description | Type 1 | Type 2 |
|----------|---------------|--------------|-----------|
| 33 | Switch | 651356-0 | 650208-2 |
| | Manufacturer | TYCO (EATON) | SATORI |
| | Catalogue No. | 8907K307 | TG833TB-1 |
| | Rating | 7A 125V - | 7A 125V - |

Type1



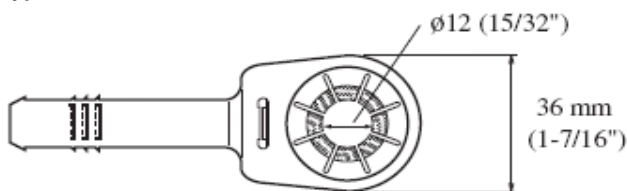
Type2



3. Changes on Key Holder

| Item No. | Description | Type 1 | Type 2 |
|----------|-------------|----------|----------|
| 42 | Key Holder | 410102-8 | 411780-7 |

Type1



Type2

